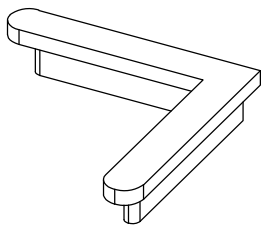
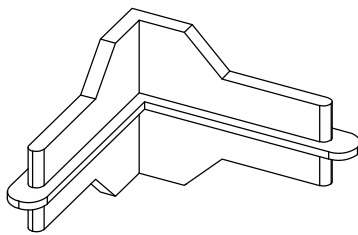


A



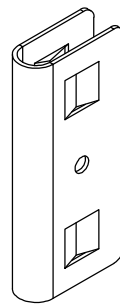
x8

B



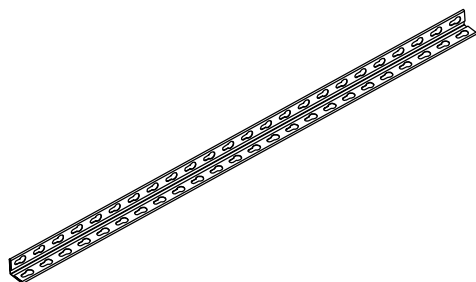
x4

C



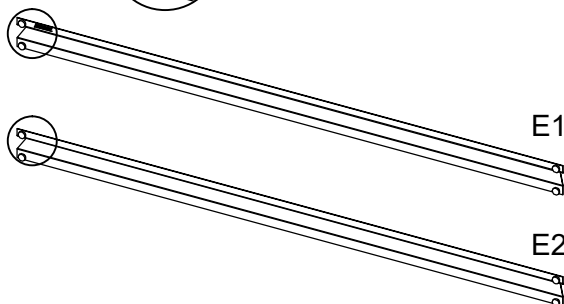
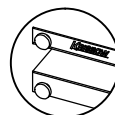
x2

D



x8

E

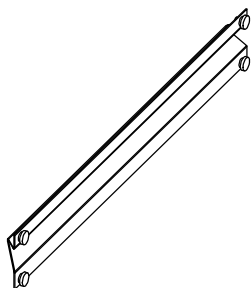


E1 x2

E2 x8

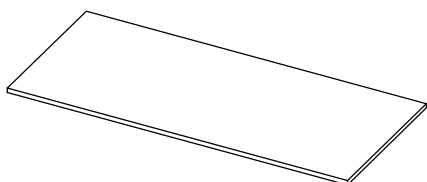
x10

F



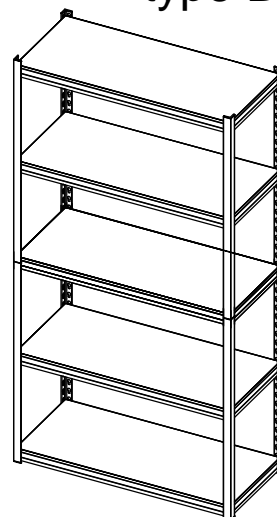
x10

G



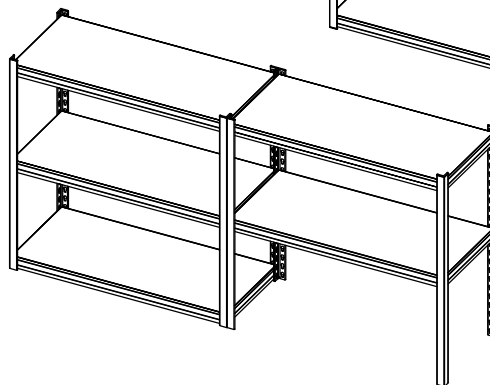
x5

type B

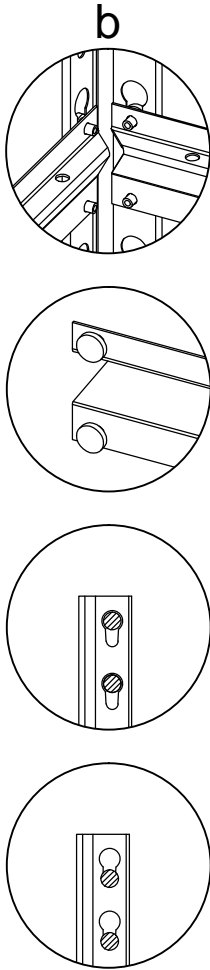


OR

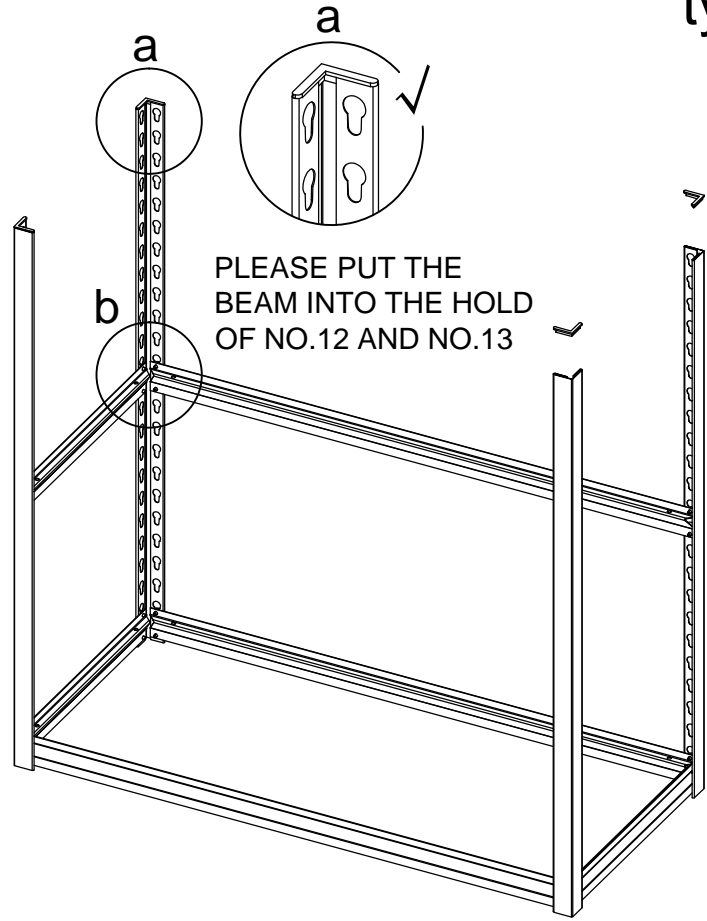
type A



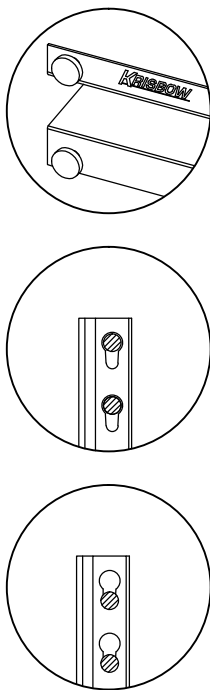
1



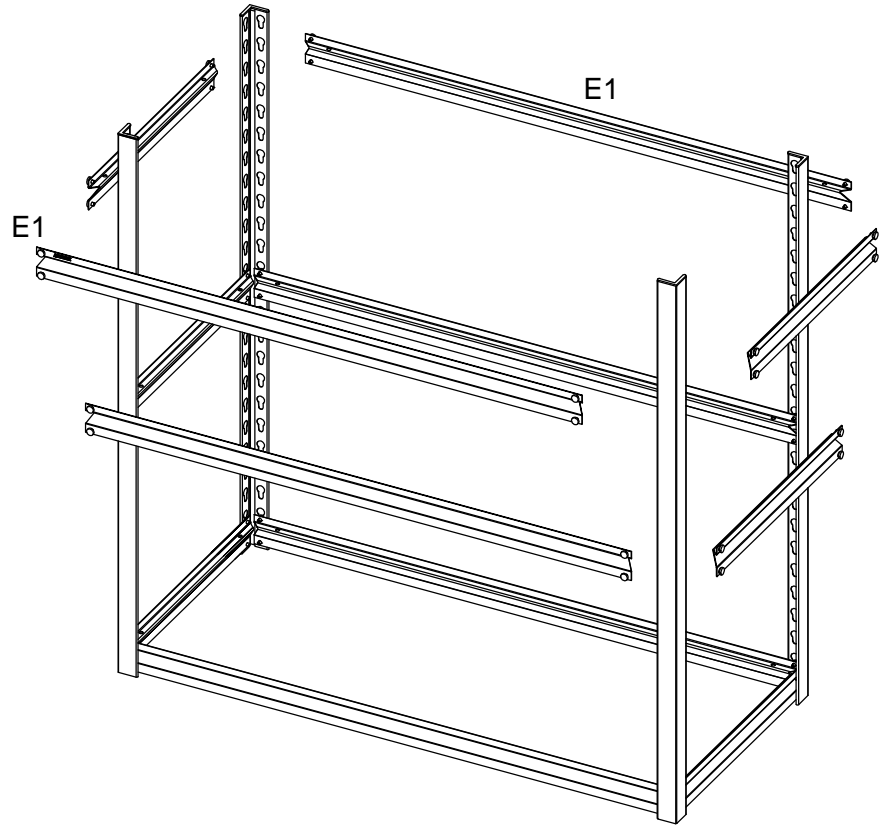
type A



2

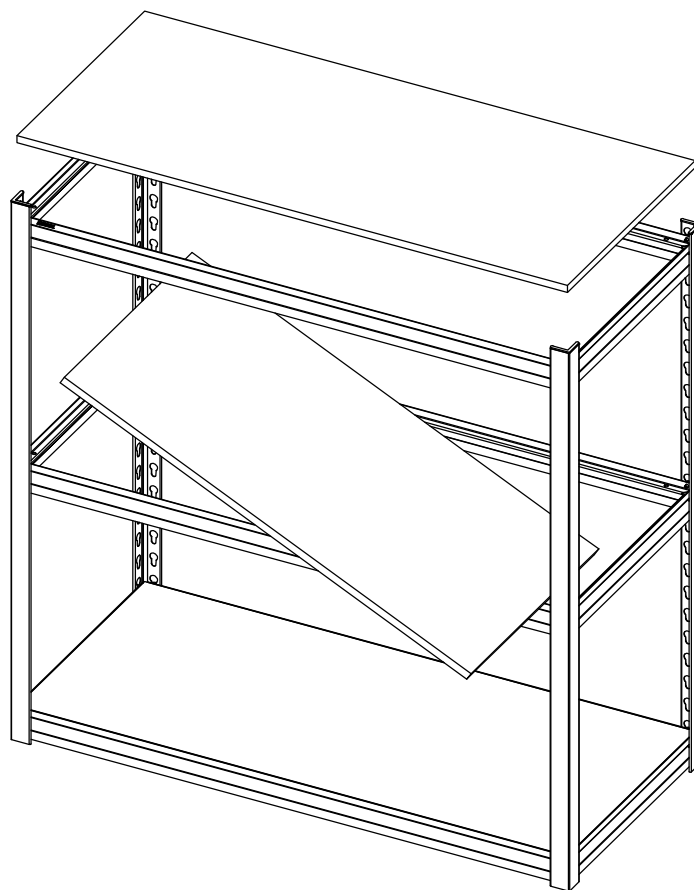


type A



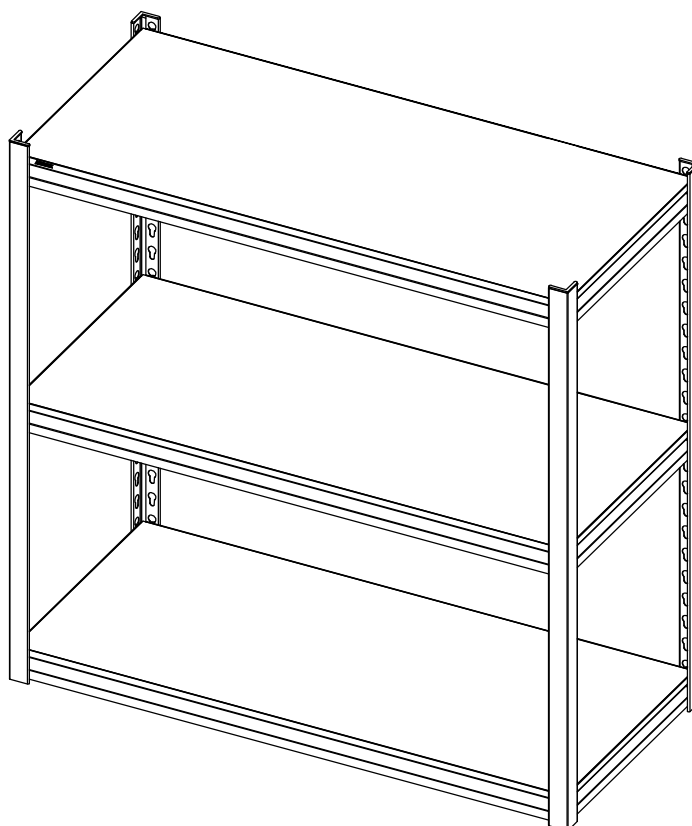
3

type A



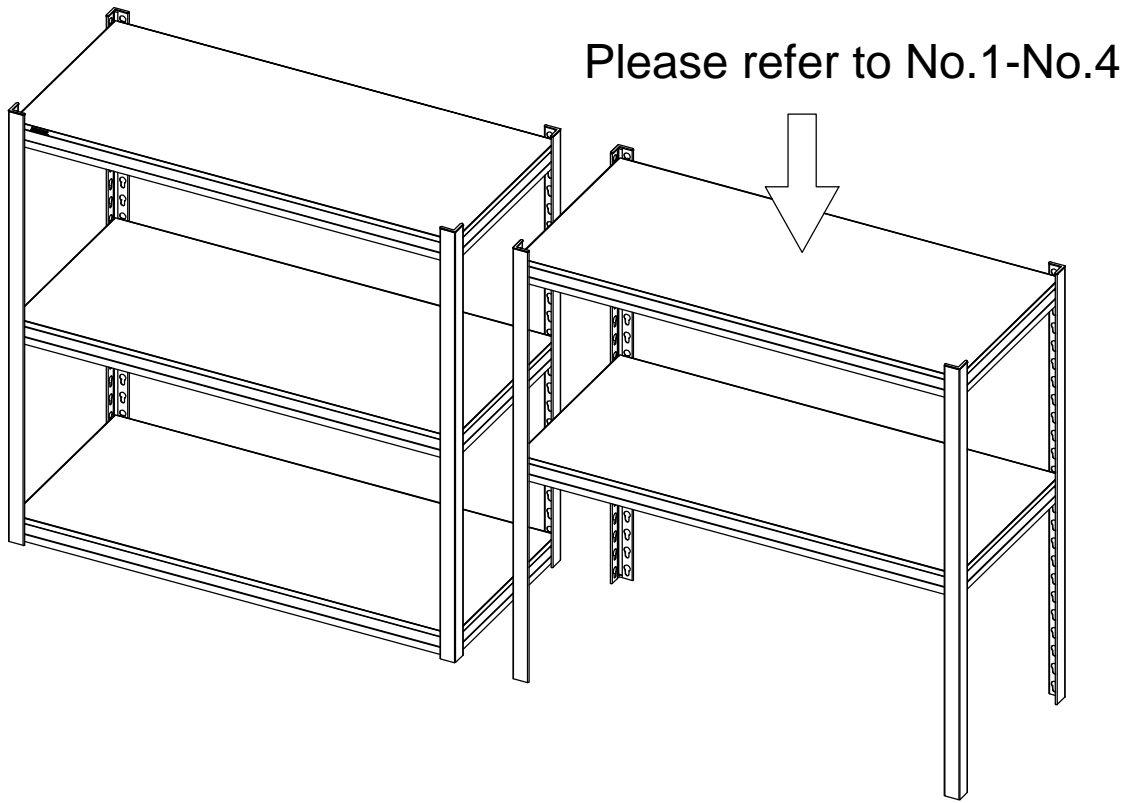
4

type A



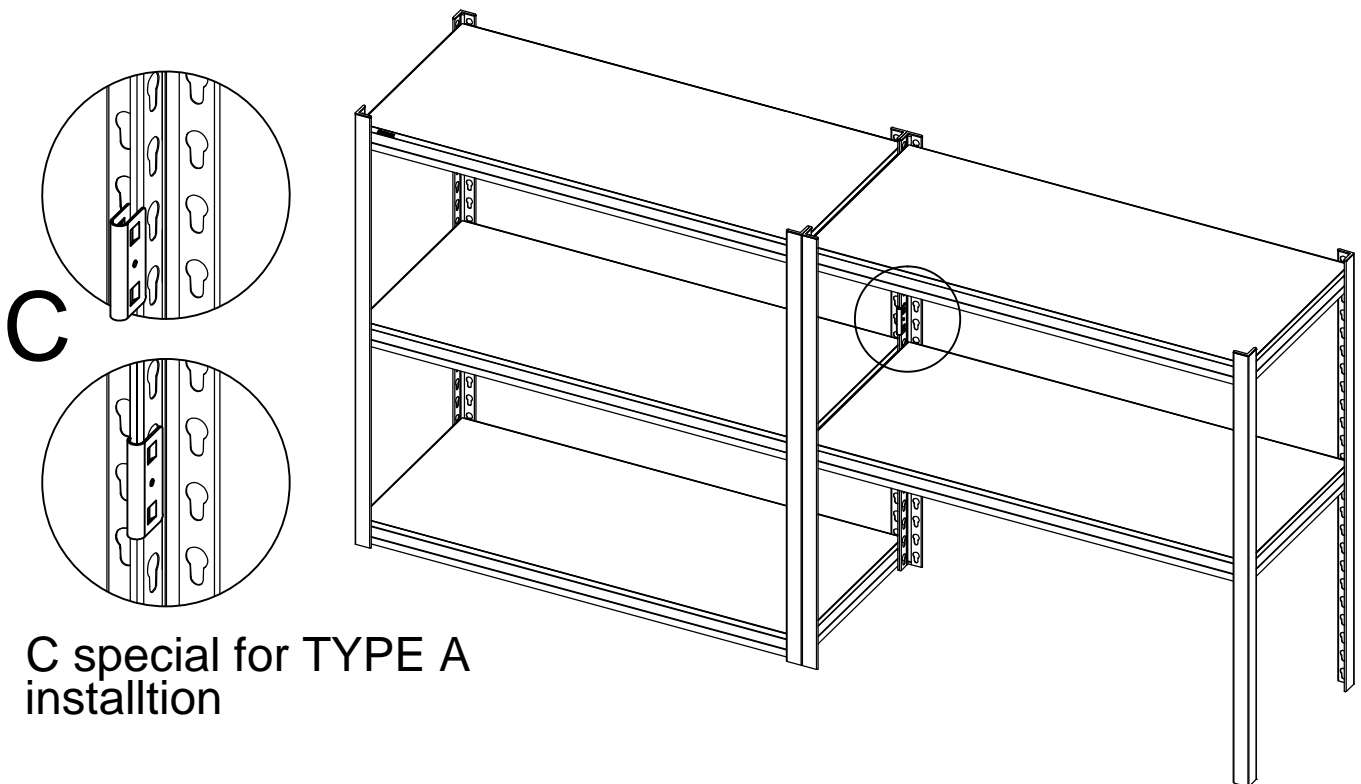
5

type A



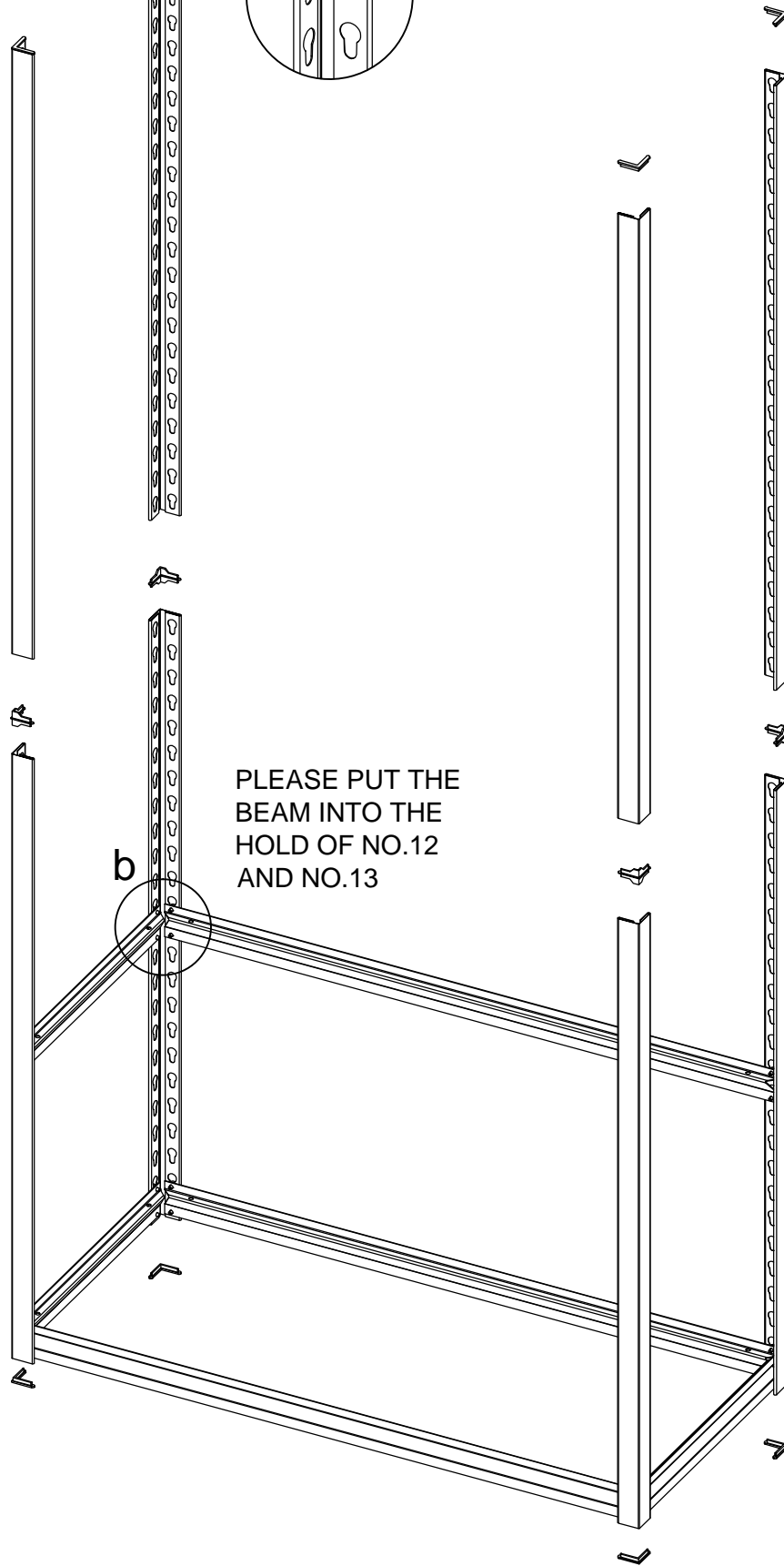
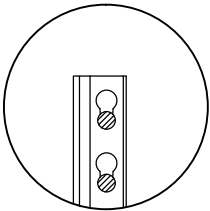
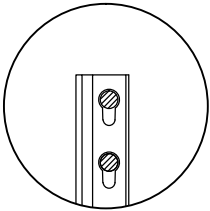
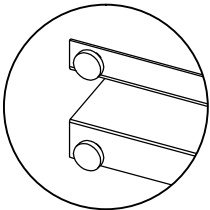
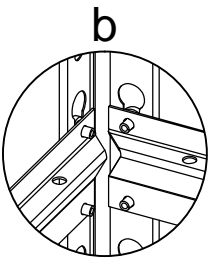
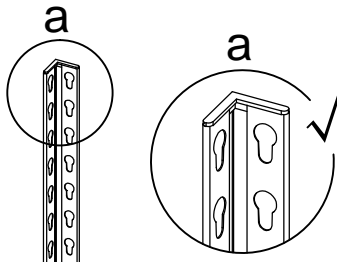
6

type A



1

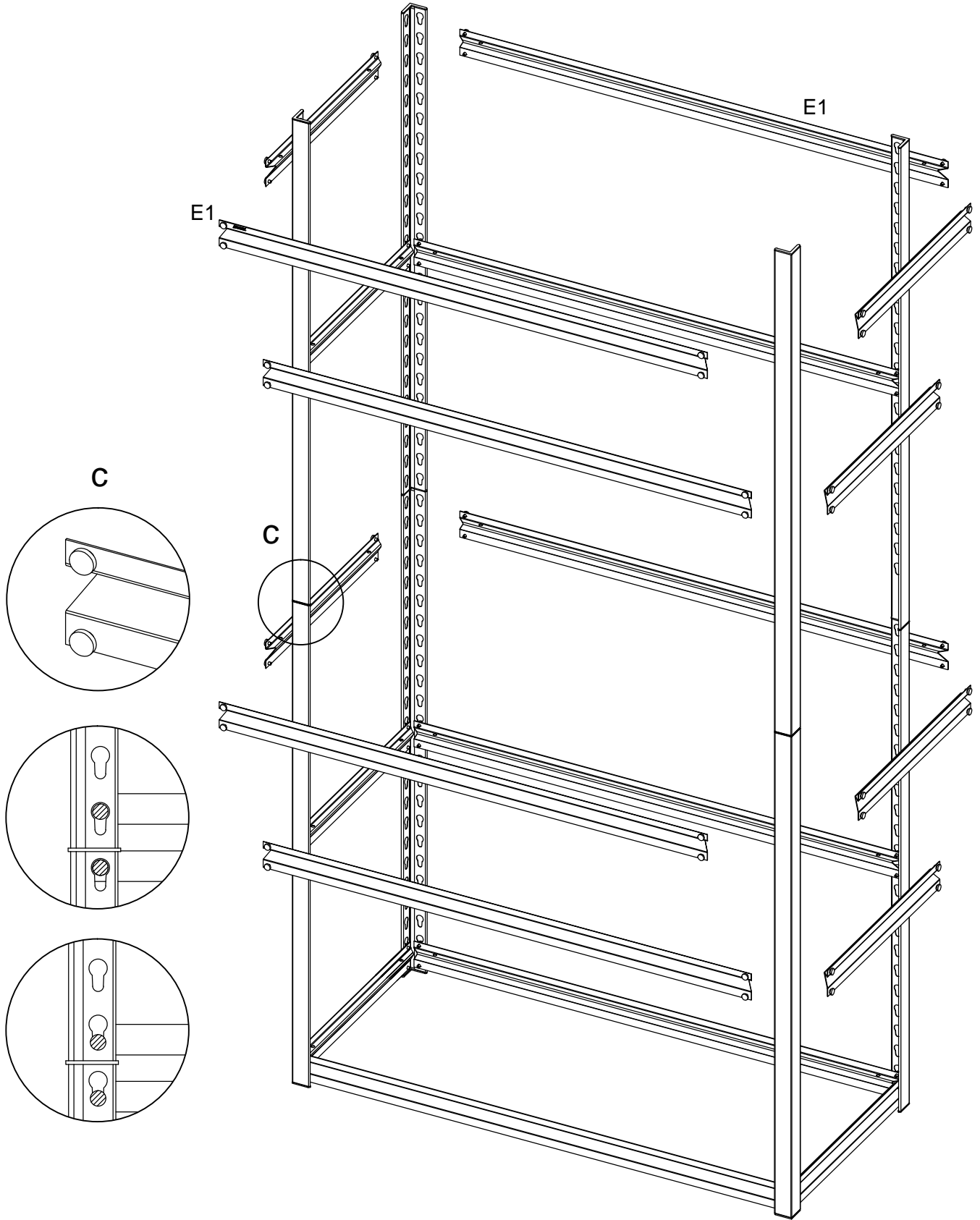
type B



PLEASE PUT THE
BEAM INTO THE
HOLD OF NO.12
AND NO.13

2

type B



3

type B

